

## THE SPECIFICATION OF AlGaAs IR LED CHIP "PR7K"

### 1. DESCRIPTION

This is a AlGaAs red LED chip. It is N-side up.

### 2. ELECTRO - OPTICAL CHARACTERISTICS (Ta=25deg. C)

CONDITION	MIN.	TYP.	MAX.	UNIT
Forward Voltage ( Vf ) IF=20mA		1.8		V
Reverse Voltage ( Vr ) IR=10uA	5			V
luminous intensity <sup>1)</sup> ( Iv ) IF=20mA	35			mcd
Peak Wavelength ( λp ) IF=20mA	640		670	nm

1) LED chip is mounted on TO-18 gold header without resin coated.

### 3. ABSOLUTE MAXIMUM RATINGS

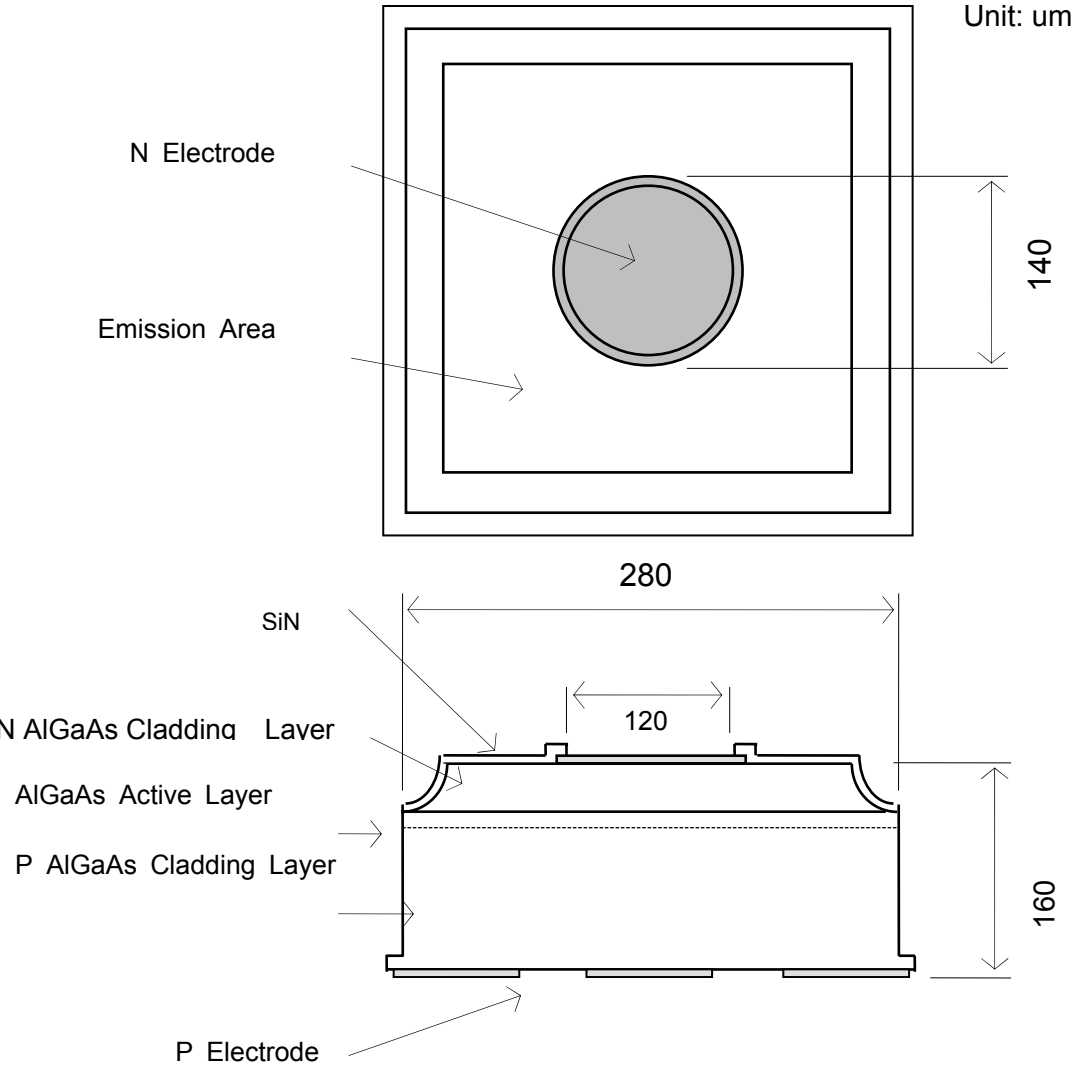
Continuous Maximum Forward Current	: 50 mA(DC)
Reverse Voltage	: 5 V(IR=10uA)
Storage Temperature	
while on mylar membrane	: 0 to 40 deg. C
after removal from mylar membrane	: -30 to 100 deg. C

### 4. PHYSICAL CHARACTERISTICS AND STRUCTURE

- 1)Material : AlGaAs
- 2)Structure : Double Hetero Structure
- 3)Junction Size : 0.280mmx0.280mm
- 4)Thickness : 0.160mm
- 5)Bond Pad Size : 0.140mm diameter
- 6)Anode Metallization : Gold Alloy
- 7)Cathode Metallization : Gold Alloy

Physical Dimensions

Model PR7K



Remark: This specification is for reference purpose only, and subject to change without prior notice. Approved specification shall be obtained for the regular purchase.